



# DC - 12.4 GHz.

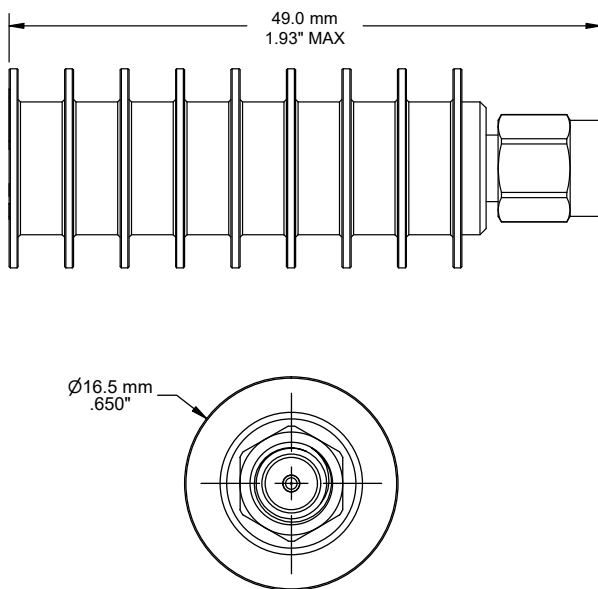
## Model: CTRM20-DC-12R4G



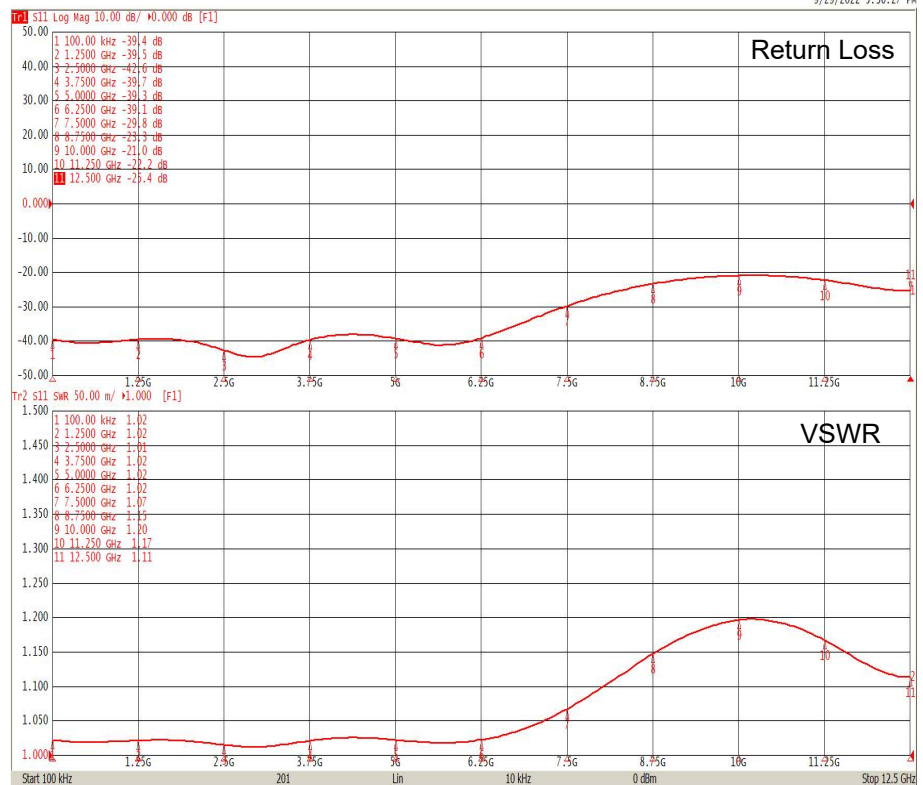
P3's Coaxial Terminations are convection cooled and can handle full rated power at 25 degrees C, and have an operating temperature range of -55 to +125 degrees C. These terminations are commonly integrated with antenna and transmitter systems as dummy loads. Other common applications are for multi-port RF/Microwave devices such as Circulators/Isolators and Directional Couplers or to terminate any 50 ohm impedance port for matching or external power dumping and test laboratory use.

The CTRM20-DC-12R5G termination's average power is 20 watts over the frequency range of DC-12.5 GHz. and exhibits low VSWR across the band with excellent power capacity in pulse applications.

Outline



Performance Data



### ENVIRONMENTAL SPECIFICATION

- Thermal Shock: MIL-STD-202, Method 107, Condition B
- Moisture Resistance: MIL-STD-202, Method 106
- Salt Fog Test: MIL-STD-202, Method 101, Condition B
- Vibration: MIL-STD-202, Method 204, Condition D
- Shock: MIL-STD-202, Method 213, Condition I
- Connectors: MIL-STD-348A

### ELECTRICAL SPECIFICATION

- Frequency Range: DC - 12.5 GHz.
- Impedance: 50 Ω
- DC Resistance: 50 Ω ±5%
- Average Power: 20 W at 25° C, 1.0 W at +125° C
- Peak Power: 0.5KW (5µs pulse, 2% duty cycle)
- VSWR: 1.20:1Max.
- Operating Temp.: -55° C to +125° C

### MECHANICAL SPECIFICATION

- Connector: SMA Male or Female Stainless Steel
- P/N Gender: CTRM = Male, CTRF = Female
- Center Contact: Brass, Gold Plated
- Body: Aluminum, Black Anodized
- Weight: 20 grams
- Storage Temp.: -65° C to +125° C

Specifications subject to change without notice

For more information Contact Sales: [sales@p3-rf.com](mailto:sales@p3-rf.com)